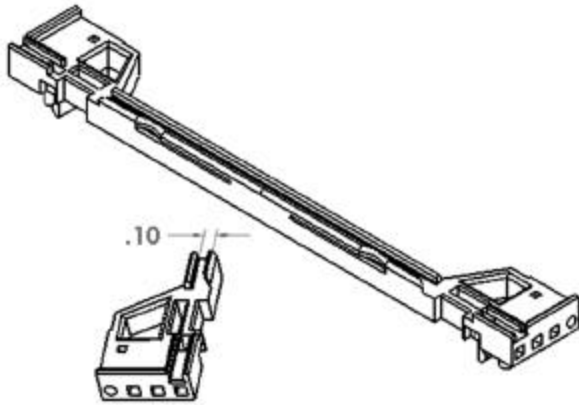
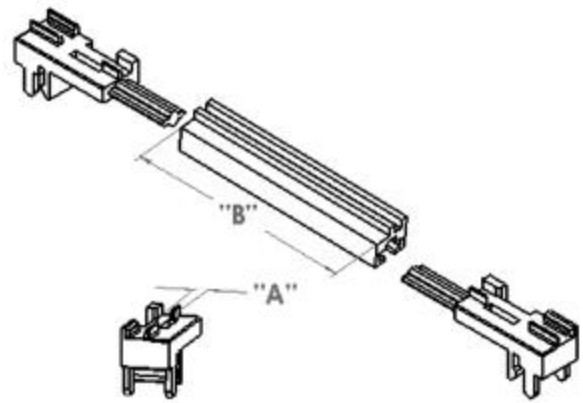


# Card Guides



P/N CG3-160 Card guide (plastic)



P/N CG3-80 Card guide  
Plastic ends with metal center extrusion.

Drawing shows with arrow and labels: For Card pin for alignment and GND Positions for coding card keys; ESD clip mounting position

Part Number	Description	
CG3-160	Card Guide 160mm long	Each
CG3-160/12	Same, Pkg of 12	Pk 12
CG3-160E	Card Guide 160mm long- ESD clip	For electrostatic discharge
CG3-160E/12	Same, Pkg of 12	Pk 12
CG3-80	Card Guide 80mm for rear I/O	Each
CG3-80/12	Same, Pkg of 12	Pk 12
CG3-80E	Same with ESD Clip	Each
CG3-80E/12	Same, Pkg of 12	Pk 12
1450-0001-01	ESD Clip (if ordered separately)	Each

Subracks

# Fan Trays



P/N FT1U-6



P/N FT1U-3

Vector fan trays are fully assembled, factory tested and fit into standard 19" racks. Fan trays feature solid state, brushless fan motors and include DC mating connector housing and pins. All electrical components and finger-guard covers are UL approved and recognized.

Fans available for assemblies include:

DC fans: axial type with ball bearings, 60 to 89 cfm, 12VDC, RPM 2500 to 3500, dB 30 (60 CFM), dB 45 (89 CFM)

AC fans: axial type with ball bearings, 70 to 110 CFM available. Other specs are same as above.

Part No.	Voltage (DC)	Fans/Assy	Airflow	Dimensions
FT1U-1	12V	1	89 CFM	19" x 1.71" x 7.75"
FT1U-2	12V	2	89 CFM	19" x 1.71" x 7.75"
FT1U-3	12V	3	89 CFM	19" x 1.71" x 7.75"
FT1U-4	12V	4	89 CFM	19" x 1.71" x 12.95"
FT1U-5	12V	5	89 CFM	19" x 1.71" x 12.95"
FT1U-6	12V	6	89 CFM	19" x 1.71" x 12.95"
FT1U-9	12V	9	89CFM	19" x 1.71" x 16.80"